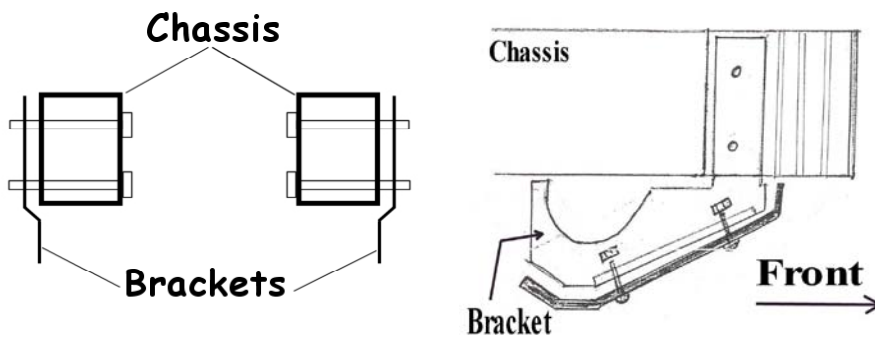




BA 083D Steering & Drag Link Protector Discovery 2

The brackets should be set up as shown in the diagram below. The front of the brackets bolt onto the bumper mounting bolts and the back of the brackets should rest on the chassis.



Now bolt the aluminium plate onto the brackets using the bolts provided. Check all nuts and bolts are secure before driving.

