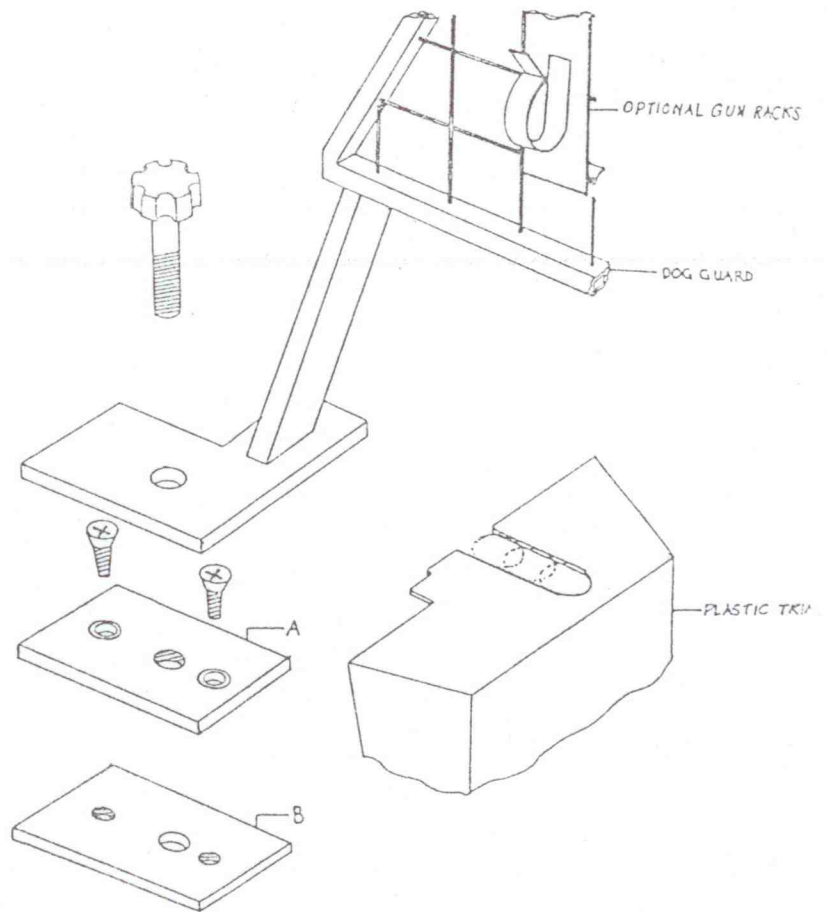




BEARMACH PLC



DOG GUARD BA 77/4

FITTING INSTRUCTIONS:

- 1) OFFER DOG GUARD UP INTO POSITION , MARK AROUND BASE PLATE WITH PENCIL AND POSITION OF HOLES TO BE DRILLED.
- 2) DRILL 3 HOLES OF 10mm.
- 3) REMOVE LATCH RELEASE BUTTON AND PLASTIC COVER. SLOT OUT HOLES IN COVER.
- 4) ASSEMBLE THE 2 SECURING PLATES (A & B) EITHER SIDE OF THE BULKHEAD. SLIDE THE PLASTIC TRIM BACK INTO POSITION BETWEEN THE 2 PLATES.
- 5) DOG GUARD IS NOW READY TO FIT.

N.B. THE FIXINGS ARE INCORPORATED IN THE DOG GUARD TO ENSURE AN UNOBTRUSIVE APPEARANCE WHEN THE GUARD IS REMOVED.